

SUPER PUMP

EnerForce

Submersible Pump



STAINLESS SUBMERSIBLE PUMP

SSP-Series

Stainless Submersible Pump

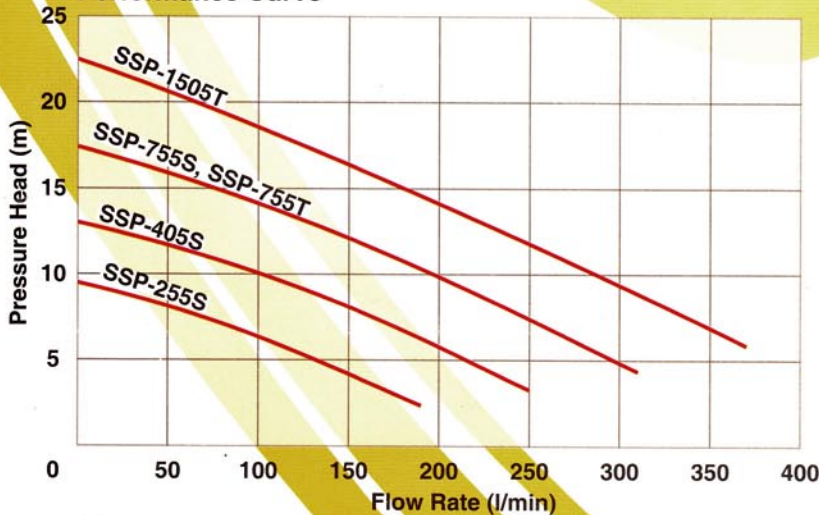
- Suitable to be used in clean water with pH5-9 and sea water.
- High-starting-torque motor.
- Build-in automatic thermal protector to protect motor from burning.
- High-grade stainless steel & engineering plastic for high corrosive resistance and lighter weight compared with cast iron.
- Equipped with Double mechanical seal, carbon & ceramic sealing surfaces.
- Ergonomics handle grip.
- 40°C maximum water temperature.



Specification

Model	Motor Output		Phase	Supply	Rated		Maximum			Weight kg
	kW	HP			Head m	Flow Rate l/min	Head m	Flow Rate l/min	Current A	
SSP-255S	0.25	1/3	Single	220~230V 50Hz	6.8	100	9.5	190	2.5	7
SSP-405S	0.40	1/2	Single	220~230V 50Hz	9.0	140	13.0	250	4.0	8
SSP-755S	0.75	1	Single	220~230V 50Hz	12.0	150	17.3	310	6.0	12
SSP-755T	0.75	1	Three	380V 50Hz	12.0	150	17.3	310	2.2	11
SSP-1505T	1.50	2	Three	380V 50Hz	14.1	200	22.5	370	5.8	13.5

Performance Curve

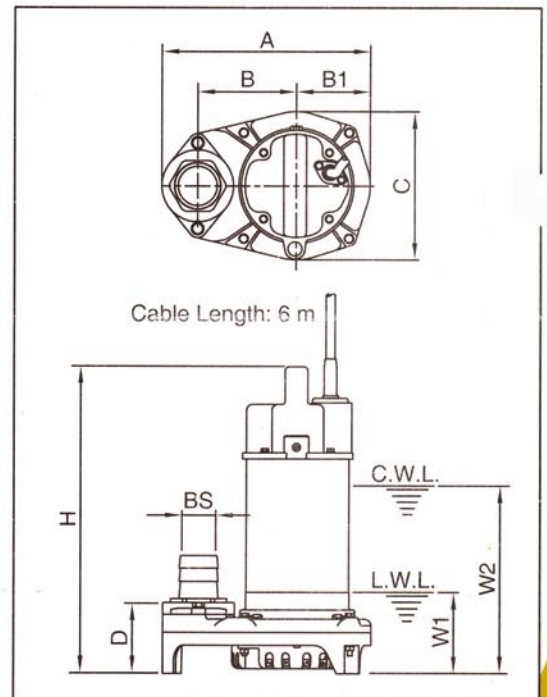


Dimensions (in mm)

Model	BS	A	B	B1	C	D	H	W1	W2
SSP-255S	40 (1½")	233	110	85	170	90	355	90	330
SSP-405S	50 (2")	233	110	85	170	90	355	90	330
SSP-755S	80 (3")	268	127	95	190	97	408	90	330
SSP-755T	80 (3")	268	127	95	190	97	408	90	330
SSP-1505T	80 (3")	268	127	95	190	97	408	90	330

Cable Specification

1Ø-VCT 3C x 1.5 mm² x 6 m
3Ø-VCT 4C x 1.0 mm² x 6 m



MITSUBISHI ELECTRIC AUTOMATION (THAILAND) CO., LTD.

MEATH-P-0305-C

Specifications subject to change without notice.

PT. LUKES INDONESIA

Lindeteves Trade Center Lt UG, Blok B1 No. 6
Jalan Hayam Wuruk, Jakarta - Indonesia
Phone : 021 - 6231 7842, 628 5144
Fax : 021 - 6231 0499
email : lukes@cbn.net.id

